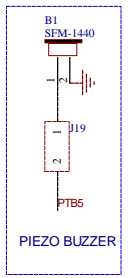
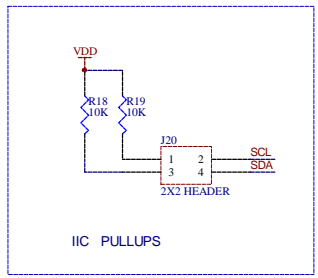
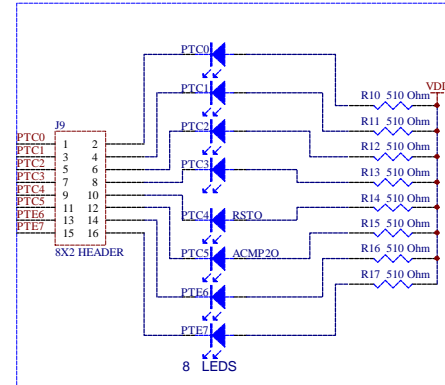
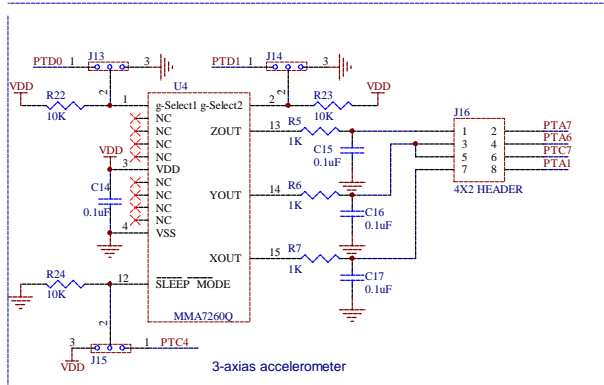


Copyright (C) 2007, P&E Microcomputer Systems, Inc.

P&E Microcomputer Systems, Inc.
98 Galen Street, Floor 2
Watertown
MA 02472
USA

DEMOQUE Base Board Schematic

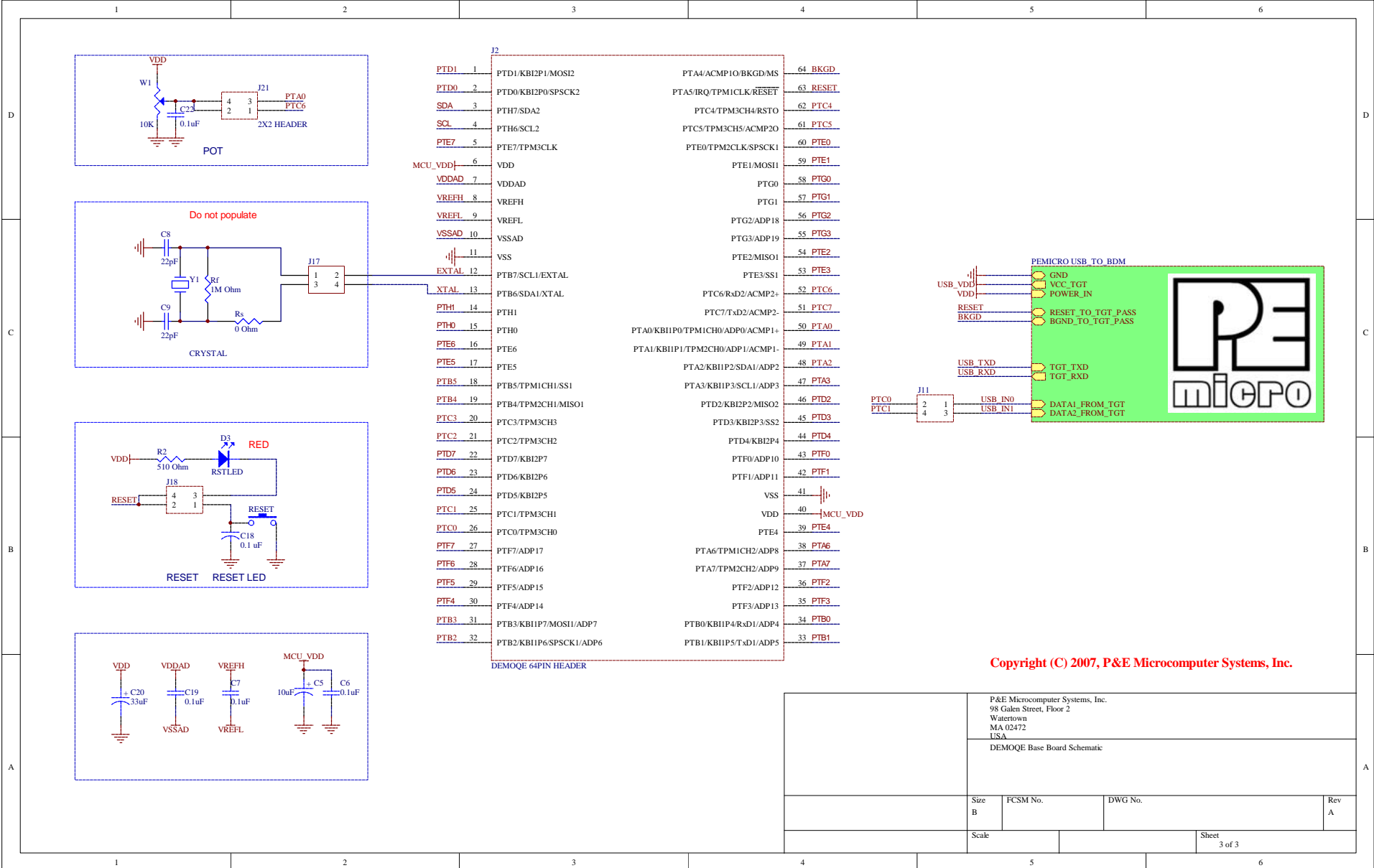
Size B	FCSM No.	DWG No.	Rev A
Scale			Sheet 1 of 3



MCU_PORT_VDD	J1	MCU_PORT	J1
VDD	1	VDD	1
PTB1	5	PTA5/IRQ/TPM1CLK/RESET	2
PTB0	7	PTA5/IRQ/TPM1CLK/RESET	4
PTA2	9	PTA4/ACMP10/BKGDMS	6
PTA3	11	PTA4/ACMP10/BKGDMS	8
PTC0	13	PTA3/KB1P3/SCL1/ADP3	10
PTC1	15	PTA0/KB1P0/TPM1CH0/ADP0/ACMP1-	12
PTB3	17	PTA1/KB1P1/TPM2CH0/ADP1/ACMP1	14
PTB4	19	PTF0/ADP10 (n/c for 32 LQFP)	16
PTB2	21	PTF1/ADP11 (n/c for 32 LQFP)	18
PTB5	23	PTA6/TPM1CH2/ADP8	20
PTD1	25	PTA7/TPM2CH2/ADP9	22
PTD0	29	PTD4/KB1P4 (n/c for 32 LQFP)	24
PTD2	27	PTD5/KB1P5 (n/c for 32 LQFP)	26
PTD3	31	PTD6/KB1P6 (n/c for 32 LQFP)	28
PTC2	33	PTD7/KB1P7 (n/c for 32 LQFP)	30
PTC3	35	PTC7/AD2/ACMP2	32
PTC4	37	PTC6/AD2/ACMP2	34
PTC5	39	PTB7/SCL1/EXTAL	36
PTF2	41	PTB6/SDA1/EXTAL	38
PTF3	43	PTG0	40
PTF4	45	PTG1	42
PTF5	47	PTH0	44
PTF6	49	PTH1	46
PTF7	51	PTG6	48
PTG2	53	PTH0	50
PTG3	55	PTH1	52
		PTG6	54
		NC	56
			×

Copyright (C) 2007, P&E Microcomputer Systems, Inc.

P&E Microcomputer Systems, Inc. 98 Galen Street, Floor 2 Watertown MA 02472 USA		DEMOQUE Base Board Schematic	
Size B	FCSM No.	DWG No.	Rev A
Scale			Sheet 2 of 3



Copyright (C) 2007, P&E Microcomputer Systems, Inc.

P&E Microcomputer Systems, Inc.
 98 Galen Street, Floor 2
 Watertown
 MA 02472
 USA

DEMOQE Base Board Schematic

Size B	FCSM No.	DWG No.	Rev A
Scale	Sheet 3 of 3		